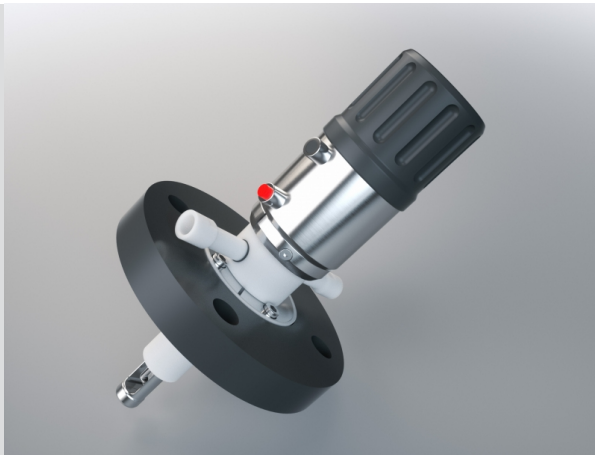


EXtract 820M plastics



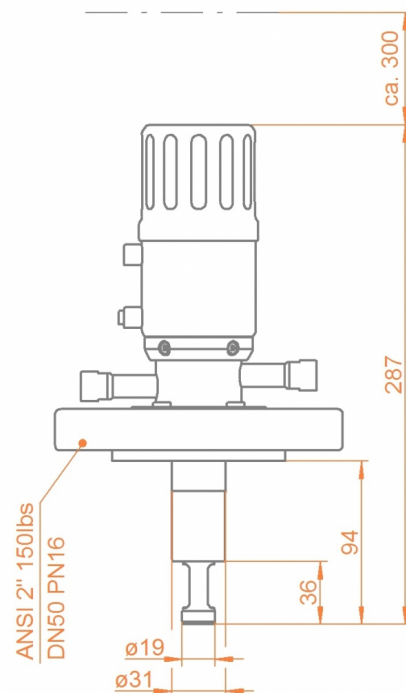
- » Robust design, integrated scraper
- » Automatic locking system with indicators for measurement- and service position
- » Automatic safety lock while sensor is removed
- » Safe handling under higher process pressure due to unique rotary drive
- » PP, PVDF or PEEK available
- » Usable in ATEX-areas
- » High stability protection cage in Alloy for option PVDF Immersion length up to 94mm

EXtract 820M is manually operated retractable probe housing made of plastics for installation of Ø12-225mm sensors on tanks or pipelines with an unique rotary drive unit.

Specifications

Process pressure:	0...10 bar
Process temperature:	-10...140 °C
Ambient temperature:	-10...70 °C
Immersion length:	up to 94 mm
Sensors:	225 mm Ø12 PG13.5
Materials:	PP, PVDF/Alloy C22, PEEK
Sealings:	EPDM, FPM (Viton), FFKM (Kalrez)
Process connection:	Flange DN50 PN16 / ANSI 2" 150lbs, MNPT 1 1/4"
Cleaning ports:	G1/8", G1/4", FNPT1/4"
Drive unit:	manual rotary drive unit
Limit switches:	optional electrical NAMUR-switches

Dimensions



EXtract 820M plastics



Alloy protective cage and sensor in measuring position



Unlocking pins and position indicators on manual drive unit



Protection cap for EXtract M probe housings

Order code

Code	Material (wetted parts)	Delivery time
PP	PP	2 Weeks
PVDF	PVDF	2 Weeks
PEEK	PEEK	2 Weeks

Code	Sealing material (wetted sealings)	Delivery time
EPD	EPDM/FDA/USP VI	2 Weeks
FPM	FPM (Viton)	2 Weeks
FKM	FFKM (Kalrez)	3 Weeks

Code	Sensor type	Delivery time
225	225mm PG 13,5 gel-filled	2 Weeks
280	280mm PG 13,5 liquid filled	2 Weeks

Code	Process connection	Delivery time
D50	Flange DN50 PN16	2 Weeks
A20	Flange ANSI 2" 150lbs	2 Weeks
N14	NPT M 1 1/4"	2 Weeks

Code	Cleaning connection	Delivery time
G18	G 1/8" female thread	2 Weeks
G14	G 1/4" female thread	2 Weeks
N14	1/4" NPT female thread	2 Weeks

Code	Position switch	Delivery time
00	without	2 Weeks