

EXtract 815 stainless steel for welding socket DN25



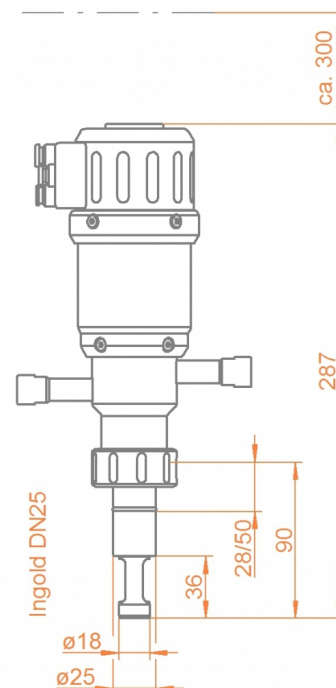
- » Robust design, integrated PTFE scraper
- » Extension of sensor-lifetime and reducing of maintenance efforts
- » Automatic safety lock while sensor is removed
- » Plug and play installation, colour- and size-coded connection system
- » Integrated limit switches
- » Usable in ATEX-areas
- » Immersion length up to 90mm

EXtract 815 is a pneumatically operated retractable probe housing made of stainless steel or Alloy C22 accommodating Ø12mm process sensors for installation on welding sockets DN25 / G1 1/4" with integrated PTFE scraper for rough processes.

Specifications

Process pressure:	0...16 bar
Process temperature:	-10...140 °C
Ambient temperature:	-10...70 °C
Immersion length:	up to 90 mm
O-ring position:	28 mm / 50 mm
Sensors:	225mm Ø12 PG 13.5
Materials:	stainless steel 1.4404 /316L, Alloy C22 (2.4602)
Sealings:	EPDM, FPM (Viton), FFKM (Kalrez)
Process connection:	G1 1/4" (DN25)
Cleaning ports:	G1/8", G1/4", FNPT1/4"
Operating power:	compressed air 4...6 bar
Limit switches:	pneumatic, integrated

Dimensions



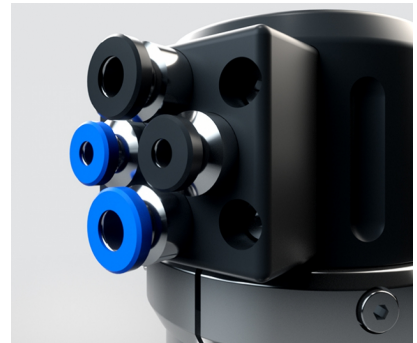
EXtract 815 stainless steel for welding socket DN25



Protective cage with sensor in measuring position



Process sealing with integrated PTFE-scraper



Connection board Extract - pneumatic connections

Order code

Code	Material (wetted parts)	Delivery time
4404	Stainless steel 1.4404 / 316L	2 Weeks
HC22	Alloy C22 2.4602	4 Weeks

Code	Sealing material (wetted sealings)	Delivery time
EPD	EPDM/FDA/USP VI	2 Weeks
FPM	FPM (Viton)	2 Weeks
FKM	FFKM (Kalrez)	3 Weeks

Code	Sensor type	Delivery time
225	225mm PG 13,5 gel-filled	2 Weeks
280	280mm PG 13,5 liquid filled	2 Weeks

Code	Process connection	Delivery time
IN28	Ingold DN25 G1 1/4" O-Ring-position 28mm	2 Weeks
IN50	Ingold DN25 G1 1/4" O-ring position 50mm	3 Weeks

Code	Cleaning connection	Delivery time
G18	G 1/8" female thread	2 Weeks
G14	G 1/4" female thread	2 Weeks
N14	1/4" NPT female thread	2 Weeks

Code	Position switch	Delivery time
PN	pneumatic	2 Weeks