

EXcap 110 Optical reference filters for 12mm NIR-sensors



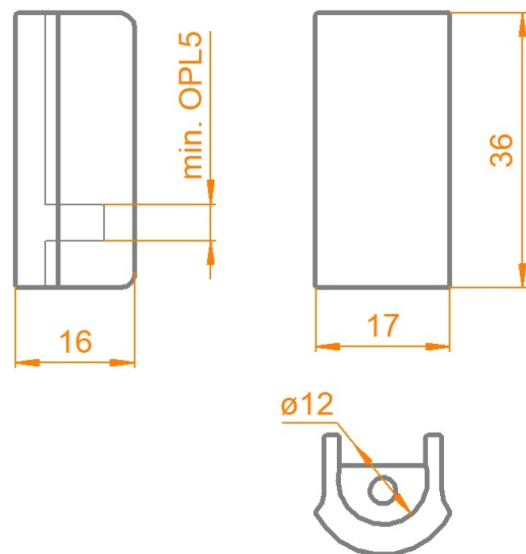
- » No calibration liquids for verification necessary
- » Very easy handling
- » Available for all measuring ranges
- » Individually selectable single filters
- » Suitable for turbidity and absorption units
- » Filters are traceable according to NIST standard
- » Factory verification with certificate possible

EXcap 110 is a set of optical reference filters for verification or adjustment of Exner-NIR sensors. This set can be equipped with up to three individually selectable single filters to verify sensors in their ideal measuring range.

Specifications

Box dimensions:	120x116x40 mm
Box material:	PP light grey
Quantity of filters:	3 pieces
Filter dimensions:	36x17 mm
Filter material:	POM black
Path length:	>5 mm
Shaft diameter:	12 mm
Absorption points:	0.35AU, 1...6AU
Accuracy:	± 1 % from upper measuring range value of sensor
Certificate:	inclusive

Dimensions



EXcap 110 Optical reference filters for 12mm NIR-sensors



EXcap 110 on sensor EXcell 231



Reference filter EXcap 110

Order code

Code	Filter 1	Delivery time
03	0,35 AU / 55% turbidity	2 Weeks
10	1 AU / 90% turbidity	2 Weeks
20	2 AU / 99% turbidity	2 Weeks
30	3 AU	2 Weeks
40	4 AU	2 Weeks
50	5 AU	2 Weeks
60	6 AU	2 Weeks

Code	Filter 2	Delivery time
00	without filter 2	2 Weeks
10	1 AU / 90% turbidity	2 Weeks
20	2 AU / 99% turbidity	2 Weeks
30	3 AU	2 Weeks
40	4 AU	2 Weeks
50	5 AU	2 Weeks
60	6 AU	2 Weeks

Code	Filter 3	Delivery time
00	without filter 3	2 Weeks
20	2 AU / 99% turbidity	2 Weeks
30	3 AU	2 Weeks
40	4 AU	2 Weeks
50	5 AU	2 Weeks
60	6 AU	2 Weeks