

EXstatic 340 universal sensor holder



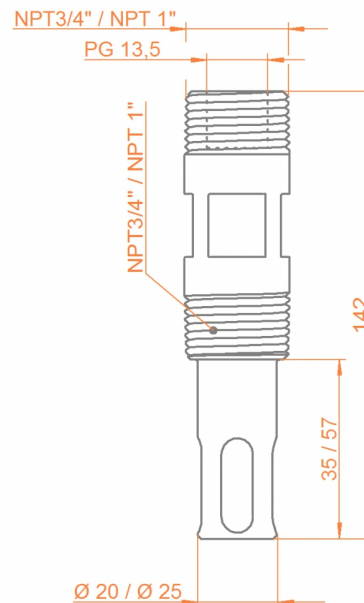
- » Replacement for US-sensors with NPT-thread
- » Stainless steel AISI 316L / 1.4404 / PVDF / PP
- » Sealing compounds EPDM / FPM (Viton) / FFKM (Kalrez)
- » Process connection NPT 3/4" or 1"
- » Optional sensor protection cage
- » Up to 10 bar and 140 °C

Static probe housing made from stainless steel or plastic for permanent installation of Ø12mm/120mm-sensors in tanks or pipes mainly in established ¾" NPT or 1" NPT sockets.

Specifications

| | |
|----------------------|------------------------------------|
| Process pressure: | 0...10 bar |
| Process temperature: | -10...140 °C |
| Material: | 1.4404 / 316L, PP or PVDF |
| Surface: | Ra<0,78 |
| Sealing material: | EPDM, FPM (Viton) or FFKM (Kalrez) |
| Certificates: | material, sealing compound |
| Option: | with or without protection cage |
| Process connection: | NPT 3/4" oder NPT 1" |
| Sensors: | 120 mm Ø12 PG13,5 |

Dimensions



EXstatic 340 universal sensor holder



Protection cage EXstatic 340



Sensor adaptation of Ø12mm PG13.5 for installations with NPT threads

Order code

| Code | Material (wetted parts) | Delivery time |
|------|--------------------------------------|---------------|
| 04 | Stainless steel 1.4404 / 316L Ra0,78 | 2 Weeks |
| PP | PP | 2 Weeks |
| PV | PVDF | 4 Weeks |

| Code | Process connection | Delivery time |
|------|--------------------|---------------|
| N10 | MNPT 1" | 2 Weeks |
| N34 | MNPT 3/4" | 2 Weeks |

| Code | Sealing material (wetted sealings) | Delivery time |
|------|------------------------------------|---------------|
| EPD | EPDM (FDA/USP VI) | 2 Weeks |
| FPM | FPM (Viton) | 2 Weeks |
| FKM | FFKM (Kalrez) | 2 Weeks |

| Code | Protection cage | Delivery time |
|------|----------------------|---------------|
| 0 | without | 2 Weeks |
| 1 | with protection cage | 2 Weeks |