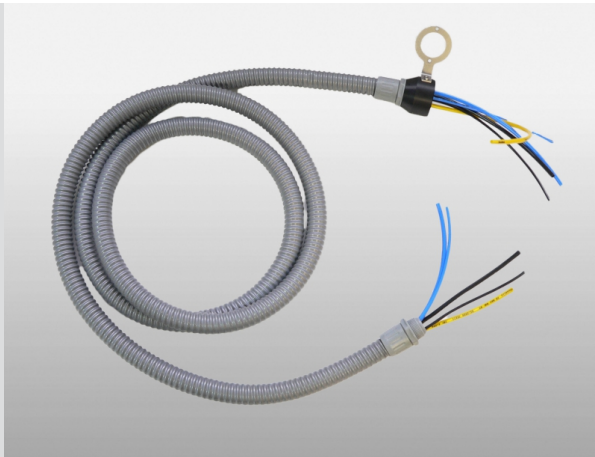


# EXconnect 170 Connection hose for retractable housings



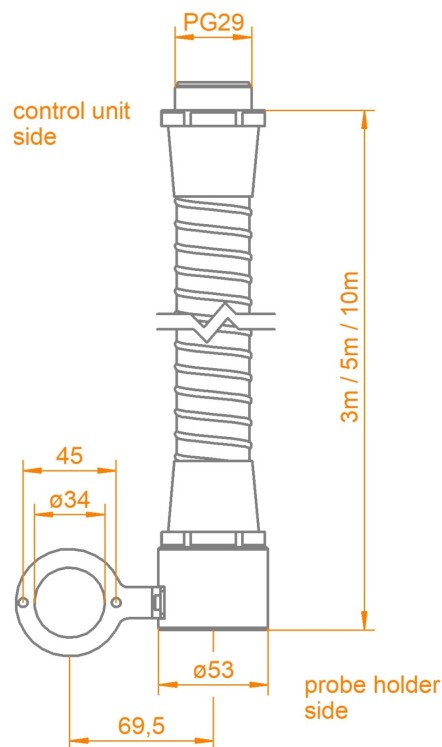
- » All required connection tubes are integrated
- » Matching fasteners for various probe housing types possible
- » PG29 connection on control unit side
- » Quick and easy installation
- » Additional control tubes for cleaning valves are integrated
- » Available in suitable length
- » Size and color-coded control tubes for confusion-free connection

EXconnect 170 is a multi-connection hose for quick and easy installation between a cleaning system of series EXmatic 470/471 and a pneumatic retractable probe housing of EXmatic 8XX series and their associated flushing valves.

## Specifications

Length:	3 m, 5 m oder 10 m
Material:	PVC (grey)
Ambient temperature:	-10...55 °C
Fixing on control unit:	PG29 gland
Fixing on armature:	fixing angle EXtract8XX
Tubes drive unit:	2x Ø4/6 mm (blue/black)
Tubes limit switches:	2x Ø2/4 mm (blue/black)
Tubes cleaning:	up to 2x Ø4/6 mm (yellow/green/grey)
Tubes drain:	optional 1x Ø4/6 mm (red)

## Dimensions



# EXconnect 170 Connection hose for retractable housings



EXconnect connected to retractable probe housing



Measuring point with probe housing, flow-through fitting and control unit

## Order code

Code	Length of connecting hose	Delivery time
03	3 meters	2 Weeks
05	5 meters	2 Weeks
10	10 meters	2 Weeks
Code	Cleaning valve connection	Delivery time
1	one additional 6mm pneumatic tube (yellow) for one cleaning valve	2 Weeks
2	two additional 6mm pneumatic tube (yellow / green) for two cleaning valves	2 Weeks
3	three additional 6mm pneumatic tube (yellow / green / grey) for three cleaning valves	2 Weeks
Code	Drain valve connection	Delivery time
0	without	2 Weeks
1	one additional 6mm pneumatic tube (red)	2 Weeks
Code	Fastening angle	Delivery time
EX	for EXtract 8XX	2 Weeks