

# EXtract 815M stainless steel for welding socket DN25



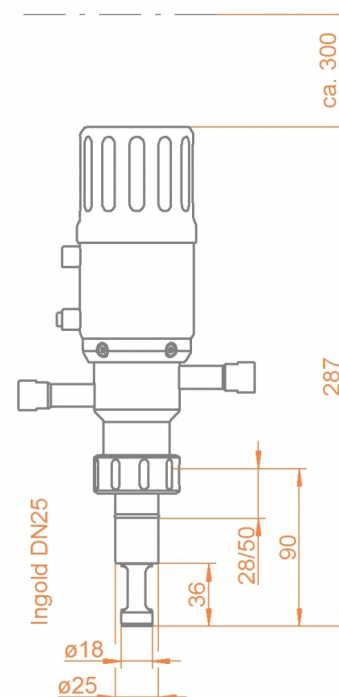
- » Robust design, integrated PTFE scraper
- » Automatic locking system with indicators for measurement- and service position
- » Automatic safety lock while sensor is removed
- » Safe handling under higher process pressure due to unique rotary drive
- » Stainless steel AISI 316L / 1.4404 or Alloy
- » Immersion length up to 90mm
- » Usable in ATEX-areas

EXtract 815M is a manually operated retractable probe housing made of stainless steel for installation of Ø12mm sensors on tanks or pipelines by welding sockets DN25. The unique rotary drive unit allows operating at process pressure rates up to 16bar.

## Specifications

|                      |  |
|----------------------|--|
| Process pressure:    | 0...16 bar                                       |
| Process temperature: | -10...140 °C                                     |
| Ambient temperature: | -10...70 °C                                      |
| Immersion length:    | up to 90 mm                                      |
| O-ring-position:     | 28 mm / 50 mm                                    |
| Sensors:             | 225 mm Ø12 PG13.5                                |
| Materials:           | stainless steel 1.4404 /316L, Alloy C22 (2.4602) |
| Sealings:            | EPDM, FPM (Viton), FFKM (Kalrez)                 |
| Process connection:  | G1 1/4" (DN25)                                   |
| Cleaning ports:      | G1/8", G1/4", FNPT1/4"                           |
| Operating power:     | manual rotary drive unit                         |
| Limit switches:      | optional electrical NAMUR switches               |

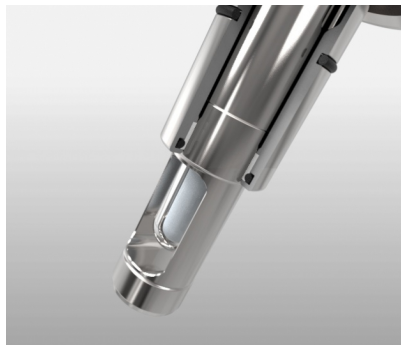
## Dimensions



# EXtract 815M stainless steel for welding socket DN25



Protective cage with sensor in measuring position



Process sealing with integrated PTFE-scraper



Unlocking pins and position indicators on manual drive unit

## Order code

| Code | Material (wetted parts)       | Delivery time |
|------|-------------------------------|---------------|
| 4404 | Stainless steel 1.4404 / 316L | 2 Weeks       |
| HC22 | Alloy C22 2.4602              | 4 Weeks       |

| Code | Sealing material (wetted sealings) | Delivery time |
|------|------------------------------------|---------------|
| EPD  | EPDM/FDA/USP VI                    | 2 Weeks       |
| FPM  | FPM (Viton)                        | 2 Weeks       |
| FKM  | FFKM (Kalrez)                      | 3 Weeks       |

| Code | Sensor type                 | Delivery time |
|------|-----------------------------|---------------|
| 225  | 225mm PG 13,5 gel-filled    | 2 Weeks       |
| 280  | 280mm PG 13,5 liquid filled | 2 Weeks       |

| Code | Process connection                       | Delivery time |
|------|--|---------------|
| IN28 | Ingold DN25 G1 1/4" O-Ring-position 28mm | 2 Weeks       |
| IN50 | Ingold DN25 G1 1/4" O-ring position 50mm | 3 Weeks       |

| Code | Cleaning connection    | Delivery time |
|------|------------------------|---------------|
| G18  | G 1/8" female thread   | 2 Weeks       |
| G14  | G 1/4" female thread   | 2 Weeks       |
| N14  | 1/4" NPT female thread | 2 Weeks       |

| Code | Position switch | Delivery time |
|------|-----------------|---------------|
| 00   | without         | 2 Weeks       |