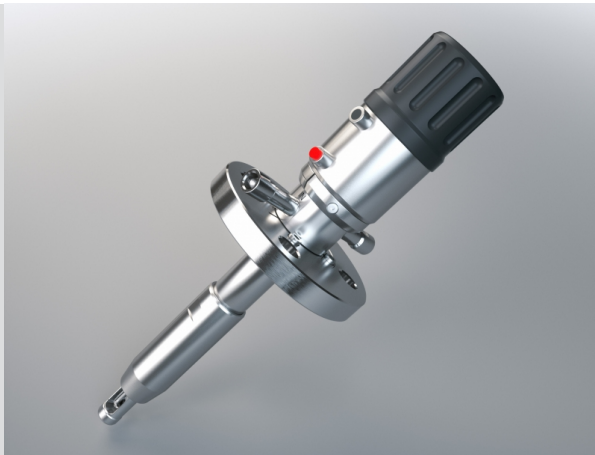


EXtract 811M stainless steel, extended immersion



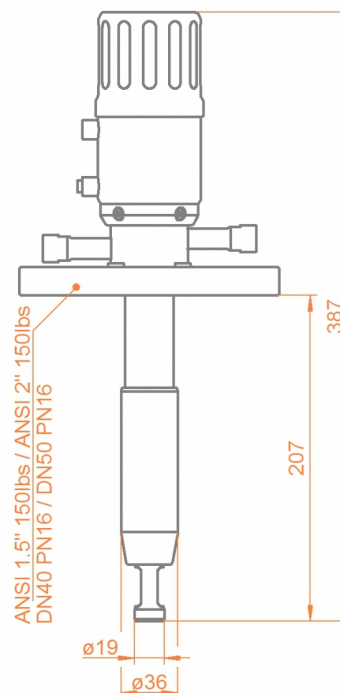
- » Robust design, integrated scraper
- » Automatic locking system with indicators for measurement- and service position
- » Automatic safety lock while sensor is removed
- » Stainless steel AISI 316L / 1.4404 or Alloy
- » Usable in ATEX-areas
- » Immersion length up to 207mm
- » High variation of process connections and sealing materials

EXtract 811M is a manually operated retractable probe housing made of stainless steel for installation of $\varnothing 12$ -325mm sensors on tanks or pipelines with an extended immersion length up to 207mm with a unique rotary drive unit.

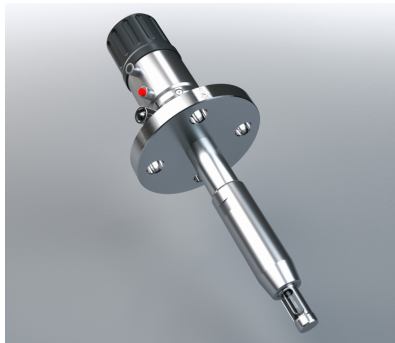
Specifications

Process pressure:	0...16 bar
Process temperature:	-10...140 °C
Ambient temperature:	-10...70 °C
Immersion length:	up to 207 mm
Sensors:	325 mm $\varnothing 12$ PG13.5
Materials:	stainless steel 1.4404 /316L, Alloy C22 (2.4602)
Sealings:	EPDM, FPM (Viton), FFKM (Kalrez)
Process connection:	Flange DN50 PN16 / DN40 PN16 / ANSI 2" 150lbs / ANSI 1 1/2" 150 lbs
Cleaning ports:	G1/8", G1/4", FNPT 1/4"
Drive unit:	manual rotary drive unit
Limit switches:	optional electrical NAMUR switches

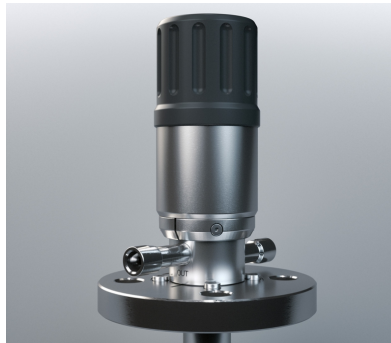
Dimensions



EXtract 811M stainless steel, extended immersion



In measuring position with extended sensor window



Rotary drive to overcome higher process pressures



If the armature is in measuring position the sensor can not be removed

Order code

Code	Material (wetted parts)	Delivery time
4404	Stainless steel 1.4404 / 316L	2 Weeks
HC22	Alloy C22 2.4602	4 Weeks

Code	Sealing material (wetted sealings)	Delivery time
EPD	EPDM (FDA/USP VI)	2 Weeks
FPM	FPM (Viton)	2 Weeks
FKM	FFKM (Kalrez)	3 Weeks

Code	Sensor type	Delivery time
325	325mm PG 13,5 gel-filled	2 Weeks
380	380mm PG 13,5 liquid filled	2 Weeks

Code	Process connection	Delivery time
D40	Flange DN40 PN16	2 Weeks
D50	Flange DN50 PN16	2 Weeks
A12	Flange ANSI 1 1/2" 150lbs	2 Weeks
A20	Flange ANSI 2" 150lbs	2 Weeks

Code	Cleaning connection	Delivery time
G18	G 1/8" female thread	2 Weeks
G14	G 1/4" female thread	2 Weeks
N14	1/4" NPT female thread	2 Weeks

Code	Position switch	Delivery time
00	without	2 Weeks
EL	electrical (NAMUR)	2 Weeks