

# Extract 850M

## TECHNICAL INFORMATION

Manual retractable probe housing



All brand and product names are registered trademarks of  
EXNER PROCESS EQUIPMENT GmbH

## Imprint

Issued by:

**Exner Process Equipment GmbH**

Carl-Metz-Str. 26

D-76275 Ettlingen

Issue date: 2024-05-02

Effective: 25.10.2023

File: Technical information Extract 850M 231025

© 2020, Dipl.-Ing. [Graduate Engineer] Detlef Exner

All rights reserved, also for the translation.

The contents of these operating instructions may only be reproduced with written approval from EXNER PROCESS EQUIPMENT GMBH, ETTLINGEN.

All technical specifications, drawings, etc. are subject to copyright protection law.

We reserve the right to make technical changes.

Printed on chlorine and acid-free paper consisting of cellulose pulp.

# Table of contents

<b>1</b>	<b>Technical data</b>	<b>4</b>
1.1	Material properties	4
1.2	Process connections	4
1.3	Sensors	4
1.4	Dimensions	5
1.5	Environmental conditions	6
1.6	EXtract 850M process conditions	6
1.7	Identification plate	6
<b>2</b>	<b>Product description</b>	<b>7</b>
2.1	Manual retractable (probe) housing EXtract 850M	7
2.1.1	Components	7
2.1.2	Versions	7
2.1.3	Drive	8
2.1.4	Immersion depth	8
2.1.5	Measurement	8
2.1.6	Service	8
2.2	Process integration	8
<b>3</b>	<b>EXtract 850M order structure</b>	<b>10</b>
<b>4</b>	<b>Certificates and compliances</b>	<b>11</b>

# 1 Technical data

## 1.1 Material properties

Medium-wetted components			
Probe housing			
EXtract	Stainless steel version	Plastic version	Guide rings / Seals
850M	1.4404/316 L	PP	PTFE / EPDM, FPM

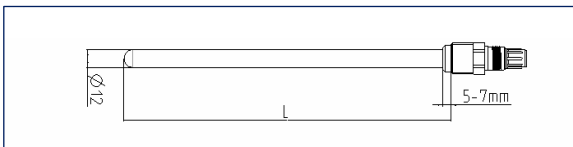
## 1.2 Process connections

Thread	
Stainless steel and plastic version	NPT 1" (external) or G1" (external)

Ingold	
Stainless steel and plastic version	Ingold DN25 G 1 1/4" O-ring position 28 mm

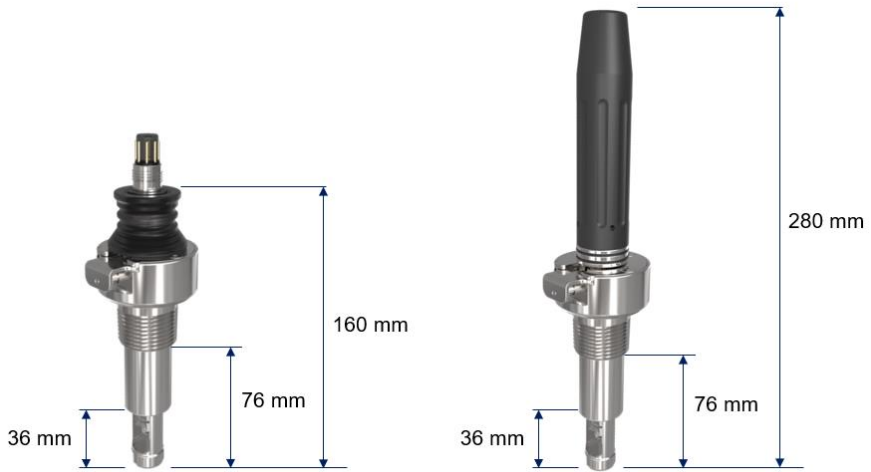
## 1.3 Sensors

Gel-filled sensor			
EXtract	l [mm]	d [mm]	PG
850M	120	12	13.5

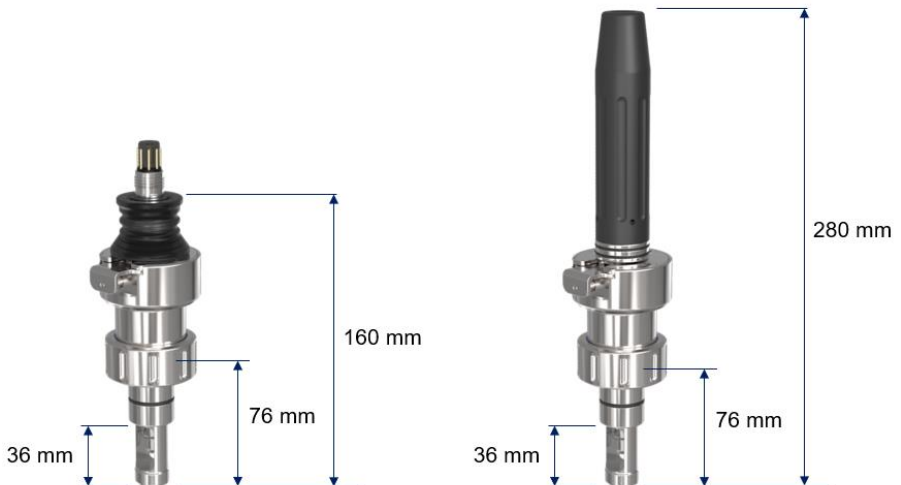


## 1.4 Dimensions

### Threaded versions



### Versions with Ingold connection



## 1.5 Environmental conditions

Ambient temperature -10...70 °C

Transport and storage temperature -20...80 °C

## 1.6 EXtract 850M process conditions

Max. permissible pressure PS: 6 bar (operable up to 2 bar)

Max. permissible temperature TS: 80 °C

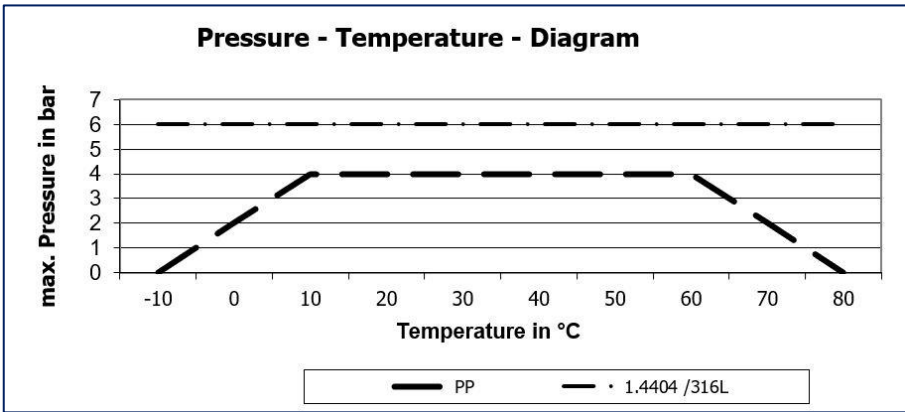


Fig. 1: Pressure temperature diagram EXtract 850M

## 1.7 Identification plate



Fig. 2: Identification plate

## 2 Product description

### 2.1 Manual retractable (probe) housing EXtract 850M

#### 2.1.1 Components

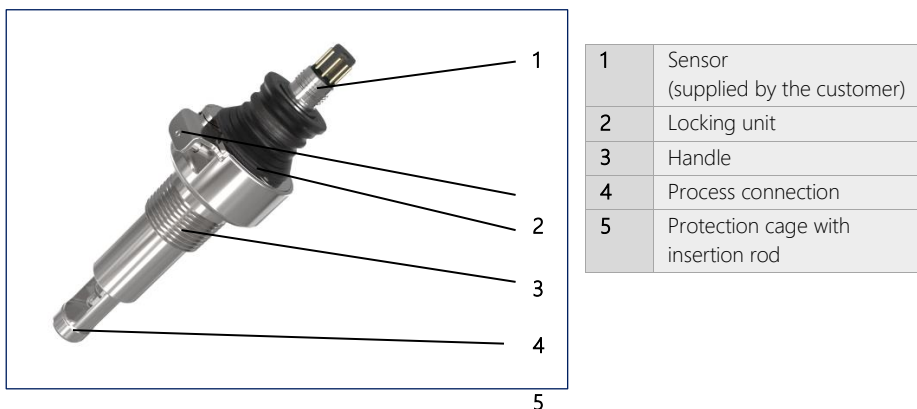


Fig. 3: Retractable (probe) housing EXtract 850M

#### 2.1.2 Versions

The EXtract retractable (probe) housing is attached to tanks or pipes using a suitable process connection. In order to do justice to the diverse process properties, the retractable (probe) housing EXtract 850M is manufactured from stainless steel and plastic. Moreover you can select between different process connections and sealing materials. Cable protection can optionally be provided for the sensor used.

#### EXtract 850M

The probe housing EXtract 850M is a manually operated stainless steel or plastic retractable (probe) housing for the installation of Ø12 mm sensors on tanks or pipes.

The probe housing can be used for:

- Ø 12 mm/120 mm sensors with thread PG13,5  
(pH glass and ISFET sensors, temperature, turbidity or optical sensors)
- Water / waste water

### 2.1.3 Drive

The manual drive of the probe housing is a mechanical linear drive which immerses the sensor into the medium by moving the insertion rod.

### 2.1.4 Immersion depth

The sensor immersion depth depends on the process connection selected → Chapter 3.5

### 2.1.5 Measurement

If the limit of travel for the position "Measurement" is reached, the insertion rod is fixed by the integrated locking unit. The sensor in the insertion rod is permanently mounted in this position and must not be removed. The sensor measures the chemical or physical properties of the process liquid.

### 2.1.6 Service

To remove the sensor, the probe housing must be moved to the "Service" position. For this, actuate the locking unit and pull the sensor out of the process using the handle until the insertion rod engages in the "Service" position.

Should the process pressure be so high that the locking unit is only hard to actuate or cannot be actuated, the sensor may not be removed without reduction of the process pressure.

## 2.2 Process integration

### Pressure/Temperature

The pressure and temperature conditions are decisive for the selection of the suitable probe housing. Depending on the temperature and the material used, the retractable (probe) housing can be operated up to a pressure of 10 bar, operation up to 2 bar process pressure is possible!

The process temperature must lie between -10 °C and 80 °C.

#### NOTE

Observe the pressure and temperature diagrams in → Chapter 3.

---



## Installation position

In principle, the probe housing can be operated in any position. To receive reliable measurement results, the properties of the sensor selected are decisive.

### 3 EXtract 850M order structure

	<b>Code</b>	<b>Material (medium-wetted)</b>	
	4404	Stainless steel, 1.4404 / 316 L	
	PP	PP	
	XXXX	Special version	
	<b>Code</b>	<b>Sealing material (medium-wetted)</b>	
	EDP	EPDM (FDA, USP VI)	
	FPM	FPM	
	XXX	Special version	
	<b>Code</b>	<b>Sensor</b>	
	120	120 mm PG 13,5 gel filled Ø 12mm	
	XXX	Special version	
	<b>Code</b>	<b>Process connection</b>	
	N10	NPT 1" (external)	
	G10	G 1" (external)	
	IN28	Ingold DN25 G1 1/4" O-ring position 28mm	
	XXX	Special version	
	<b>Code</b>	<b>Cable protection</b>	
	0	Without	
	1	With cable protection	
	X	Special version	
<b>EXtract 850M</b>			<b>Order number</b>

Example: EXtract 850M-4404-EPD-120-N10-0

# 4 Certificates and compliances

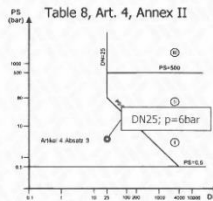
## EU Declaration of conformity

for  
**Retractable holder type 850M**

We declare under our sole responsibility that the product, to which this declaration relates, does not reach the specified limits mentioned under Article 4, paragraph 1 letter c of the Pressure Equipment Directive 2014/68/EU. It is designed and manufactured, according to Article 4, paragraph 3, with sound engineering practice. It is therefore not subjected to CE marking.

The following assessment bases were used:

- Max. allowable pressure: 6 bar
- Diameter DN: DN25
- Fluid group acc. to art. 9: Group 1
- Condition of fluid: liquid, if  $pD \leq 0,5$  bar
- Classification: Article 4, paragraph 3, sound engineering practice



This declaration applies to all identical types of the product manufactured in accordance with the development, design and manufacturing drawings and descriptions which are part of this declaration.

This declaration is given by the manufacturer.

Name of company:  
Address:

**Exner Process Equipment GmbH**  
Carl-Metz-Straße 26  
D-76275 Ettlingen

Germany

Ettlingen  
Place

18.10.2023  
Date

  
  
Exner Process Equipment GmbH  
Carl-Metz-Straße 26  
76275 Ettlingen / Germany  
Tel. 07241-945429-0 fax - 99  
www.exner.com

Michael Tottewitz  
General Manager



Exner Process Equipment GmbH  
Carl-Metz-Str. 26  
D-76275 Ettlingen  
Germany

tel +49 (0)7243-94 54 29-0  
fax +49 (0)7243-94 54 29-99  
mail [info@e-p-e.de](mailto:info@e-p-e.de)

[www.e-p-e.com](http://www.e-p-e.com)