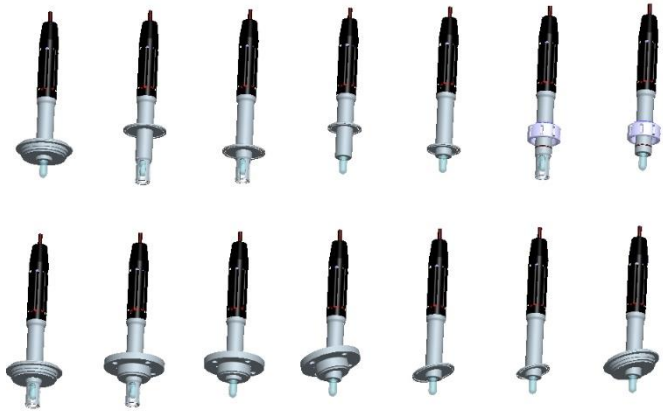


EXstatic

# TECHNICAL INFORMATION

Static probe housing



All brand and product names are trademarks of the company:

EXNER PROCESS EQUIPMENT GmbH

## Imprint

Distributed by:

**Exner Process Equipment GmbH**

Carl-Metz-Str. 26

D-76275 Ettlingen

Date of issue: 2025-01-09

As per: 15.12.2022

File: Technical information EXstatic 221215

© 2020, Dipl.-Ing. [Graduate Engineer] Detlef Exner

All rights reserved, including the translation.

The reproduction of the content in these operating instructions is subject to prior written approval by EXNER PROCESS EQUIPMENT GMBH, ETTLINGEN.

All technical information, drawings, etc. is subject to the protection of copyright law.

Technical modifications reserved.

Printed on chlorine-free and acid-free pulp paper.

# Table of contents

<b>1</b>	<b>Technical data</b>	<b>4</b>
1.1	Standards	4
1.2	Material properties	4
1.3	Dimensions	5
1.4	Environmental conditions	7
1.5	EXstatic 3XX process conditions	8
1.6	Identification plate	8
<b>2</b>	<b>Product description</b>	<b>9</b>
2.1	Static probe housing EXstatic	9
2.1.1	Components	9
2.1.2	Versions	9
2.2	Process integration	10
<b>3</b>	<b>Ordering structure</b>	<b>12</b>
3.1	EXstatic 310 probe housing - G 1 1/4" connection	12
3.2	EXstatic 311 probe housing - TriClamp connection	13
3.3	EXstatic 312 probe housing - hygienic connection	14
3.4	EXstatic 315 probe housing 15° inclined	15
<b>4</b>	<b>Spare parts and accessories</b>	<b>16</b>
4.1	Certificates	16
4.2	Weld-in socket G 1 1/4" connection	16
4.3	Sealing kits	16
4.4	Protective caps	16
<b>5</b>	<b>Certificates and compliance</b>	<b>17</b>

# 1 Technical data

## 1.1 Standards

The following standards were applied when manufacturing the static probe housing:

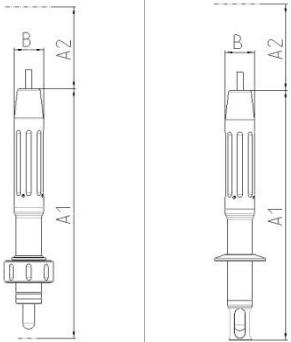
- Pressure Equipment Directive

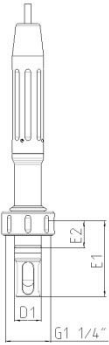
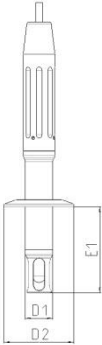
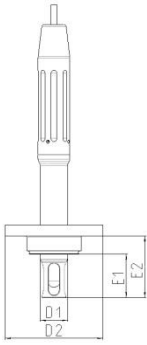
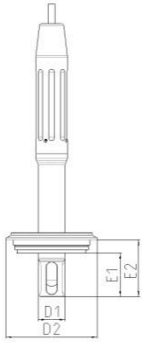
## 1.2 Material properties

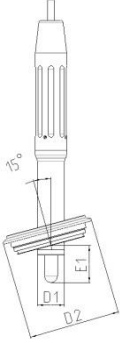
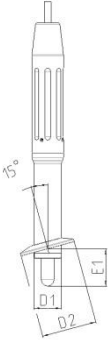
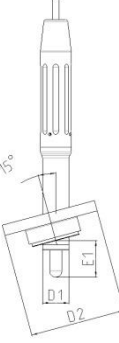
Wetted components		
Probe housing		
EXstatic	Stainless steel	Seals
310	1.4404/316 L	EPDM (FDA, USP VI), FPM
311	1.4404/316 L	EPDM (FDA, USP VI), FPM
312	1.4404/316 L	EPDM (FDA, USP VI), FPM
315	1.4404/316 L	EPDM (FDA, USP VI), FPM

Not wetted components	
Protection Cap	
EXstatic	Material
3XX	PA 6.6.GF30

## 1.3 Dimensions

Static probe housing	
	 <p>The image contains two technical drawings of a static probe housing. The left drawing shows a side view with a threaded base and a probe tip. The right drawing shows a side view with a flat base and a probe tip. Both drawings have dimension lines: 'A1' for the main body length, 'A2' for the total length including the tip, and 'B' for the diameter of the main body.</p>
Measurements [mm]	EXstatic
	310 / 311 / 312 / 315
A1	252
A2	200
B	29

EXstatic process connector				
	A	B	C	D
	G 1¼"	TriClamp	BioControl D50	Varivent
				
Measurements [mm]	EXstatic	EXstatic	EXstatic	EXstatic
	310	311	312	312
E1	70	45/80	40	40
E2	25		57	52
D1	25	25	25	25
D2		50.5/64	90	84

EXstatic process connector			
	A	B	C
	Varivent	TriClamp	BioControl D50
			
Mea- surements [mm]	EXstatic	EXstatic	EXstatic
	315	315	315
E1	34	34	34
D1	25	25	25
D2	84	50.5/64	90

## 1.4 Environmental conditions

Ambient temperature -10...70 °C

Transport and storage temperature -20...80 °C

## 1.5 EXstatic 3XX process conditions

Max. permissible pressure PS: 10 bar

Max. permissible temperature TS: 140 °C

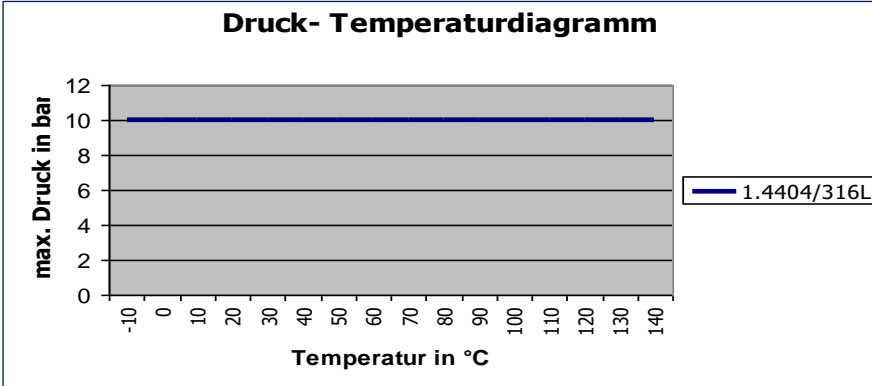


Fig. 1: EXstatic pressure-temperature diagram

## 1.6 Identification plate

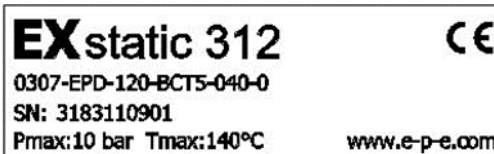


Fig. 2: Identification plate

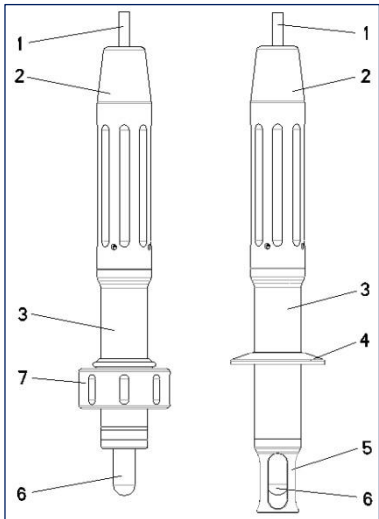
In case of queries, please contact your dealer directly.



## 2 Product description

### 2.1 Static probe housing EXstatic

#### 2.1.1 Components



1	Sensor cable
2	Protection Cap
3	Probe housing
4	Process Connection Tri Clamp
5	Protection cage
6	Sensor
7	Union nut

Fig. 3: EXstatic probe housing

#### 2.1.2 Versions

The static probe housings are attached to tanks or pipes by an applicable process connection. In order to comply with the various process properties, the probe housing EXstatic is manufactured from stainless steel and plastic. Moreover, you can choose between different process connectors, sealing materials and surfaces. Optionally, the probe housing is available with or without a protection cage."

## 2.2 Process integration

### Static probe housing

The EXstatic probe housing can be fixed on a process tank or pipes by the process connection. The protection cage protects the sensor against damage caused by process liquid.

### Transmitter

The static probe housing inserts a sensor in the process liquid transmitting its measuring results to a transmitter.

### PLS

The transmitter can be connected with a process control system. The measuring is then controlled automatically according to the measuring results.

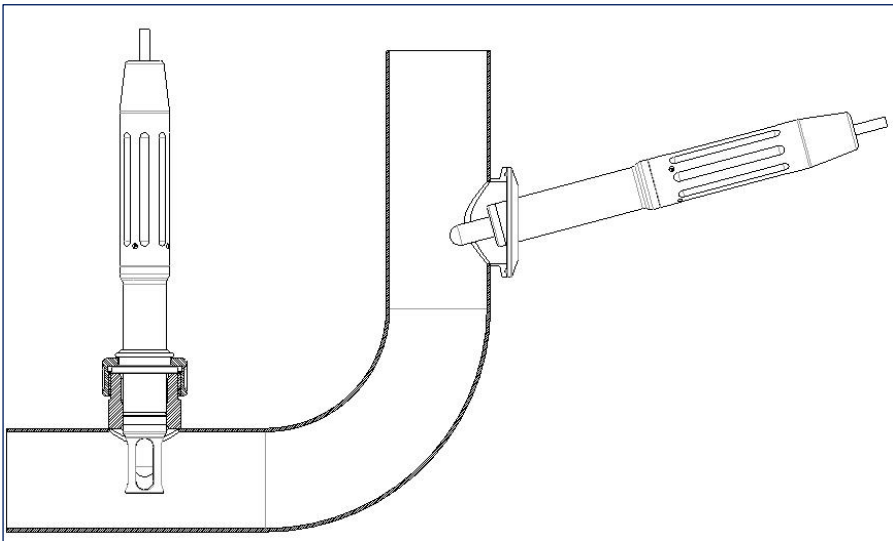


Fig. 4: Process integration

## Process connector/Pressure/Temperature

For choosing the appropriate probe housing, process and temperature conditions of the process are applicable. The static probe housing of stainless steel can be used for a pressure of up to 10 bar and temperature between -10 °C and 140 °C.

### NOTE

Observe the pressure and temperature diagrams in Chapter 3.6 "EXstatic 3XX process conditions"

---

## Installation position

Basically, the static probe housing can be operated in any position. In order to obtain reliable measurement results, the sensor properties are decisive.

### 3 Ordering structure

#### 3.1 EXstatic 310 probe housing - G 1 1/4" connection

	<b>Code</b>	<b>Probe housing, material (wetted parts)</b>			
	0408	Stainless steel, 1.4404 / 316L Ra0,8			
	0404	Stainless steel, 1.4404 / 316L Ra0,4			
	XXXX	Special version			
		<b>Code</b>	<b>Material (wetted parts)</b>		
		EDP	EPDM		
		FPM	FPM		
		XXX	Special version		
			<b>Code</b>	<b>Sensor</b>	
			120	120 mm PG 13.5	
			XXX	Special version	
				<b>Code</b>	<b>Process connection</b>
				D32	G1 1/4" union nut OP25
				XXX	Special version
				<b>Code</b>	<b>Immersion depth</b>
				070	70 mm under process connection
				XXX	Special version
				<b>Code</b>	<b>Protection cage</b>
				0	Without
				1	With protection cage
			X	Special version	
<b>EXstatic 310</b>				<b>Order code</b>	

## 3.2 EXstatic 311 probe housing - TriClamp connection

Code	Probe housing, material (wetted parts)	
0408	Stainless steel, 1.4404 / 316L Ra0,8	
0404	Stainless steel, 1.4404 / 316L Ra0,4	
XXXX	Special version	
Code	Material (wetted parts)	
EDP	EPDM	
FPM	FPM	
XXX	Special version	
Code	Sensor	
120	120 mm PG 13.5	
XXX	Special version	
Code	Process connection	
TC15	TriClamp 1-1.5" (OD 50.5mm)	
TC20	TriClamp 2,0" (OD 64 mm)	
XXXX	Special version	
Code	Immersion depth	
040	45 mm under process connection	
080	80 mm under process connection	
XXX	Special version	
Code	Protection cage	
0	Without	
1	With protection cage	
X	Special version	
EXstatic 311		<b>Order code</b>

### 3.3 EXstatic 312 probe housing - hygienic connection

	<b>Code</b>	<b>Probe housing, material (wetted parts)</b>				
	0408	Stainless steel, 1.4404 / 316L Ra0,8				
	0404	Stainless steel, 1.4404 / 316L Ra0,4				
	XXXX	Special version				
		<b>Code</b>	<b>Material (wetted parts)</b>			
		EDP	EPDM			
		FPM	FPM			
		XXX	Special version			
		<b>Code</b>	<b>Sensor</b>			
		120	120 mm PG 13.5			
		XXX	Special version			
			<b>Code</b>	<b>Process connection</b>		
			IN25	Varivent N DN40-125		
			BCT5	NEUMO BioControl D50		
			XXXX	Special version		
				<b>Code</b>	<b>Immersion depth</b>	
				040	40 mm under process connection	
				XXX	Special version	
					<b>Code</b>	<b>Protection cage</b>
					0	Without
				1	With protection cage	
				X	Special version	
<b>EXstatic 312</b>					<b>Order code</b>	

### 3.4 EXstatic 315 probe housing 15° inclined

EXstatic 315	<b>Code</b>	<b>Probe housing, material (wetted parts)</b>				
	0408	Stainless steel, 1.4404 / 316L Ra0,8				
	0404	Stainless steel, 1.4404 / 316L Ra0,4				
	XXXX	Special version				
		<b>Code</b>	<b>Material (wetted parts)</b>			
		EDP	EPDM			
		FPM	FPM			
		XXX	Special version			
			<b>Code</b>	<b>Sensor</b>		
			120	120 mm PG 13.5		
			XXX	Special version		
				<b>Code</b>	<b>Process connection</b>	
				VARN	Varivent N DN40-125	
				TC15	TriClamp 1-1.5" (OD 50,5mm)	
				TC20	TriClamp 2,0" (OD 64 mm)	
				BCT5	NEUMO BioControl D50	
				XXXX	Special version	
					<b>Code</b>	<b>Immersion depth</b>
					070	34 mm under process connection
					XXX	Special version
					<b>Code</b>	<b>Protection cage</b>
					0	Without
					X	Special version
					<b>Order code</b>	

## 4 Spare parts and accessories

The probe housing serial number must always be quoted for spare parts and accessories orders.

### 4.1 Certificates

EXstatic	Certificates	Order code
310 / 311 / 312 / 315	EN10204-2.2 for surface finishing (wetted parts)	2-121-01-001
310 / 311 / 312 / 315	EN10204-3.1 for material (wetted parts)	2-121-01-002

### 4.2 Weld-in socket G 1 1/4" connection

EXstatic	Description	Order code
310	Safety weld-in socket straight, 40 mm, 1.4435/316L	2-087-33-001
310	Safety weld-in socket 15°, 40 mm, 1.4435/316L	2-087-33-002

### 4.3 Sealing kits

EXstatic	Spare part	Order code
310	EPDM (FDA, USP VI) sealing set	2-123-20-001
	FPM sealing kit	2-123-20-002
311 / 312 / 315	EPDM (FDA, USP VI) sealing set	2-123-20-003
	FPM sealing kit	2-123-20-004

### 4.4 Protective caps

EXstatic	Description	Order code
310 / 311 / 312 / 315	Protection cap EXstatic	2-152-26-001



## 5 Certificates and compliances

All freely available certificates and conformities can be found in their most current form in the “Downloads” section of our website.

To access the following address, enter it into your browser or scan the QR code below. Then select the relevant product and document from the list.

<https://e-p-e.com/en/downloads>



Depending on the product, additional certificates (e.g. material, surface, etc.) are available. If necessary, please send a corresponding request to Exner Process Equipment GmbH.







Exner Process Equipment GmbH  
Carl-Metz-Str. 26  
D-76275 Ettlingen  
Germany

tel +49 (0)7243-94 54 29-0  
fax +49 (0)7243-94 54 29-99  
mail [info@e-p-e.de](mailto:info@e-p-e.de)

[www.e-p-e.com](http://www.e-p-e.com)